

Shear Beam Load Cell SK30X with a Rated Load of 300 kg ... 2 t



Performance Features

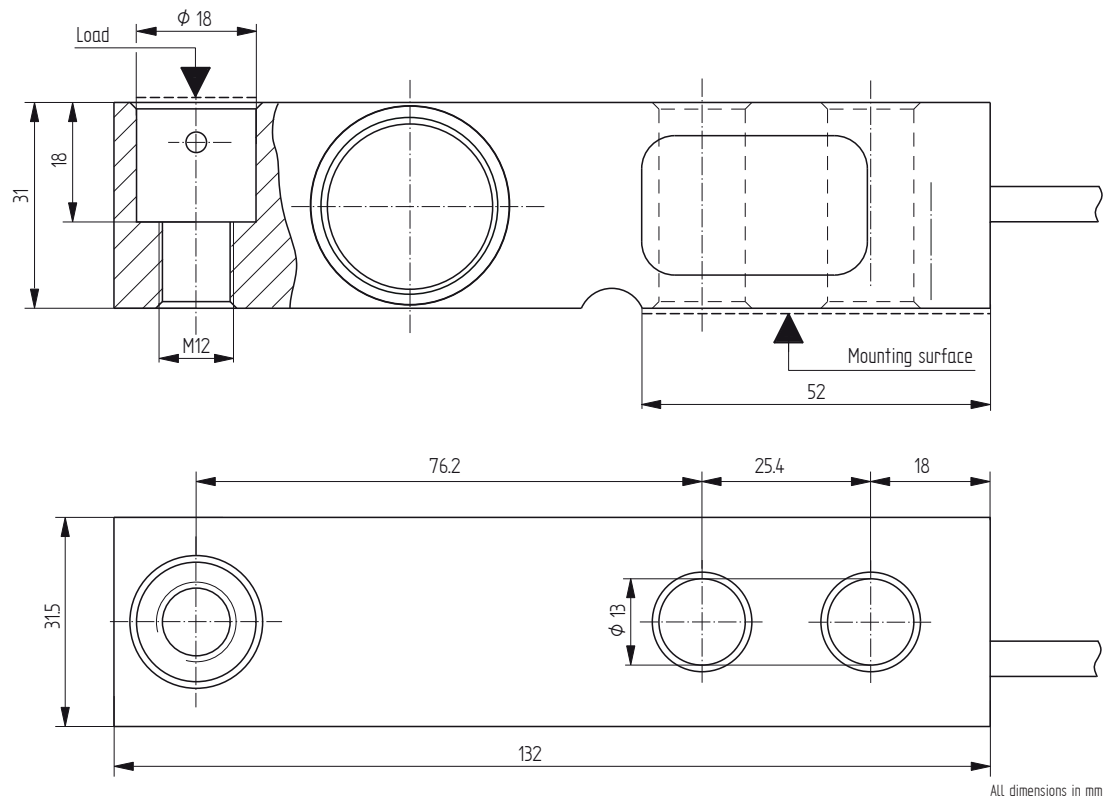
- Shear beam load cell made of stainless steel, hermetically welded with protection class IP68
- Up to 6000d d OIML R60 and 5000d NTEP approved
- Specially designed for low profile industrial platform scales as well as pallet weighing applications
- 6-wire technology
- Calibrated signal output for multi-load cells mounting
- ATEX 2014/34/EU version for hazardous area (option)

Application

- Hoppers, tanks, mixers or conveyors
- Beverages and food
- Mining, metals and minerals
- Chemistry/Pharmaceuticals
- Waste management/recycling
- Packaging technology



Dimensions in mm



Article-No.	Version	Rated Load [kg]	n_{max} [d OIML]	Weight [kg]
107829	C3 12e	300	3000	0.94
107832	C3 10e	500		
107833	C3 10e	1000		
107834	C3 10e	2000		
110617	C6 15e	500	6000	
118447	C6 15e	1000		
112962	C6 15e	2000		

Connection Assignment

Electrical Connection		
Function	Wire Color	
Excitation (+)	Brown	●
Signal (+)	Yellow	●
Signal (-)	White	○
Excitation (-)	Green	●
Sensing (+)	Gray	●
Sensing (-)	Pink	●

Technical Data

Type	SK30X			
Version		C3 12e	C3 10e	C6 15e
Rated load E	kg	300	500; 1000; 2000	500; 1000; 2000
Maximum load for approved weighing E_{max}	kg	300	500; 1000; 2000	500; 1000; 2000
				500; 1000; 2000
Accuracy class OIML R60		C3		C6
Maximum numbers of load cell intervals n_{max}	d OIML	3000		6000
Minimum verification interval v_{min}	kg	E/12000	E/10000	E/15000
Creep division factor $Z = E_{max}/2 \times DR$	-	3000		6000
Combined error	% E	±0.017		±0.008
Temperature coefficient of zero signal	% E/°C	±0.0012	±0.0014	±0.0009
Temperature coefficient of characteristic value	% E/°C	±0.0014		±0.0007
Load creep d_{cr, F} in 30 min.	% E	±0.024		±0.012
Zero balance	% E	±2.5		
Rated output at E C_{nom}	mV/V	2		
Rated range of excitation voltage B_{U, nom}	V	1 ... 15		
Input resistance R_e	Ω	385 ±20		
Output resistance R_a	Ω	350 ±5		
Insulation resistance R_{is}	MΩ/50V	5000		
Current Adjustment	% E	±0.1		
Electrical connection		Cable, PVC, 5 m		
Rated temperature range B_{T, nom}	°C	-10 ... 40		
Operating temperature range B_{T, G}	°C	-20 ... 60		
Limit load E_{lim}	% E _{max}	150		
Breaking load E_b	% E _{max}	200		
Tightening torque	Nm	25		
Level of protection	EN 60529	IP68		
Material		Stainless steel		
Weight	kg	0.94		

Options

Article-No.	Description
107798	ATEX 2014/34/EU, IECEx: ex II 1 G/D, Ex ia IIC T6 Ga, Ex ia IIIC T80 °C Da, IP6X, -20 °C < Ta < +60 °C (zones gaz 0/1/2, dust 20/21/22)
115049	ATEX 2014/34/EU, IECEx: ex II 1 D, Ex ta IIIC T125 °C Da, IP6X, -20 °C < Ta < +60 °C (zones dust 20/21/22)
115048	ATEX 2014/34/EU, IECEx: ex II 3 G, Ex nA IIC T6 Gc, -20 °C < Ta < +60 °C (zone gaz 2)
-	Marking FACTORY MUTUAL (FM): I.S., CL I, II, III / DIV 1 / GP ABCDEFG N.I., CL I, II, III / DIV 2 / GP ABCDEFG; NIFW

Accessories

Compression load kit Stabiflex-SK	Height adjustable load device LFA	Compression load kit Isoflex
		

Further suitable accessories you can find on our homepage under <https://www.lorenz-messtechnik.de/english/products>